



**Cockpit:**

Automotive layout is logical for natural emergency operation - suiting all drivers, even with minimal training.



**Operation:**

The wide mast, low scuttle and high seating position give the operator an excellent view of the forks and of the way ahead.



**Full suspension seat:**

For comfort and lumbar support - low physical stress levels giving eight-hour shift alertness.



**Drive axle:**

Heavy-duty drive axle with one traction motor and one controller, mounted transversely so no need for a crown wheel and pinion.



**Electronics:**

The CURTIS AC 48v system with Gen2 simplified circuitry and sealed units is the industry technical leader.



# HG series

**Electric Lift Trucks  
1.0 - 5.0 tonnes**

## SPECIFICATIONS

Production by one of the largest manufacturers in one of the world's biggest economies ensures long-term stability, with excellent parts availability and technical support.

The design is aimed at 10,000 hours between major overhauls by embracing the latest technology without unnecessary complication, keeping costs down and making operating and refurbishment easier.

Heavy-duty masts with big rollers, thicker flanges and strong webs resist distortion and abuse.

The standard controller is the latest CURTIS Gen2 AC system with simplified circuitry - coupled with conventional design to allow servicing by in-house engineers with minimal training and equipment.



BRITISH  
INDUSTRIAL  
TRUCK  
ASSOCIATION

Fork Lift Truck  
Association



ISO9001  
ISO14001

your local dealer

# AC electric [DC option]

			SAMUK+HC																	
			HG10	HG15	HG18	HG20	HG25	HG30	HG40	HG45	HG50									
general	1	Manufacturer:																		
	2	Model:																		
	3	Load capacity:	1000	1500	1800	2000	2500	3000	4000	4500	5000									
	4	Load centre:	500																	
	5	Power:	electric																	
characteristics	6	Rated fork height:	3300																	
	7	Free lift:	135			140		145		150										
	8	Fork size:	900x120x35			1070x130x40			1070x150x50			1070x150x55								
	9	Tilt range:	5/10					6/12												
	10	Turning radius:	1780		1815		2040		2090		2650									
	11	Aisle stacking width (add load, clearance):	800x1200		3556		3721		3911		4665									
	12	Ground clearance unladen: minimum	110																	
	13	at wheelbase centre	125																	
	14	Overhead guard height:	2075																	
	15	Lost load centre:	406																	
16	Counterweight overhang:	295			330		335		385		390									
performance	17	Travel speed: maximum, laden/unladen	14.0/14.0		13.5/14.0		12.0/13.0		14.0/14.0		14.0/14.0		13.5/13.5		13.0/13.5					
	18	Drawbar pull: maximum, laden	10000		11000		12000		14000		18000		22000		24000					
	19	Gradeability: maximum, laden/unladen	15.0/16.0		13.0/14.0		14.5/15.5		14.0/15.0		13.0/14.0		26000		27000					
	20	Lifting speed: laden/unladen	310/460		300/450		295/440		290/450		280/440		260/410		270/430		260/420		250/400	
	21	Lowering speed: laden/unladen	450/430		460/430		470/430		470/440		460/430		460/424		420/410		430/410		440/410	
size	22	Length to fork face:	2080		2115		2275		2325		2490		2965		3015					
	23	Overall width:	1060		1138		1265		1265		1265		1380		1380					
	24	Height without backrest: mast, down/up	1823/3913			1864/4034			1864/4130			2185/4417								
chassis	25	Tyres:	superelastic pneumatic profile																	
	26	front/rear (x=driven)	2x / 2																	
	27	size, front	6.00-9			21x8-9			23x9-10			250-15								
	28	size, rear	5.00-8			18x7-8			7.00-12			2000								
	29	Wheelbase:	1380			1485			1625			2000								
30	Tread:	888/898		938/898		1058/960		1130/1100		1130/1100		1130/1100								
weight	31	Weight: unladen with battery box	2880		2940		3090		3700		4180		5050		6600		6800		6950	
	32	Weight distribution: laden, front/rear	3410/470		3900/540		4300/590		5016/684		5990/690		7160/890		9440/1160		9950/1350		10635/1315	
	33	unladen, front/rear	1296/1584		1353/1587		1650/1440		1628/2072		1890/2290		2424/2626		3960/2640		3950/2850		3475/3475	
drive unit	34	Brakes:	electric AC regenerative braking & conventional hydraulically operated drum brakes																	
	35	handbrake	over-centre mechanical drum																	
	36	Motor: traction, model	TSP 48v			TSP 48v			TSP 80v			TSP 80v								
	37	traction, output	6.4			10.5			10.6			16.6								
	38	pump, model	TSW 48v			TSW 48v			TSW 80v			TSW 80v								
	39	pump, output	8.2			11.0			12.8			25.4								
	40	Battery: voltage/capacity(option)	48/420 (550)			48/600 (700)			80/500(650)			80/700 (800)								
	41	weight with box	760			998			1489			2100								
	42	Control system: type	CURTIS 1238 48v AC (DANAHER option)																	
	43	traction	48/350			48/525			80/330			80/525								
44	pump	48/350			48/525			80/330			80/525									
42	Operating pressure: for attachments	14.5			17.5			17.5			17.5									

Rated at 3300mm lift, 500mm load centre : Materials & specifications are subject to change without notice : Check mast specification, marginal height, load centre derations & load types with Dealer

## masts: 1.0 - 1.8 tonnes

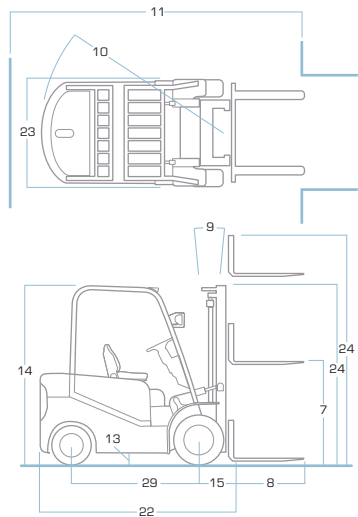
	Maximum fork height mm	Minimum height mm	Raised height no backrest mm	Free lift no backrest mm	Tilt range Fwd/Bwd deg	Load height deration kg @ 500mm load centre		
						HG10	HG15	HG18
duplex	2000	1173	2613	135	6/12	1000	1500	1800
	2500	1423	2123	135	6/12	1000	1500	1800
	2700	1523	3313	135	6/12	1000	1500	1800
	3000	1673	3613	135	6/12	1000	1500	1800
	3300	1823	3913	135	6/12	1000	1500	1800
	3600	1973	4213	135	6/12	960	1450	1750
	4000	2223	4613	135	6/12	930	1400	1700
	4300	2388	4913	135	6/12	850	1300	1550
4500	2498	5113	135	6/12	800	1200	1450	
duplex FFL	2500	1374	2564	1631	6/12	960	1450	1750
	2700	1474	3264	1731	6/12	960	1450	1750
	3000	1624	3564	1881	6/12	960	1450	1750
	3300	1774	3864	2031	6/12	960	1450	1750
	3600	1924	4164	2181	6/12	900	1350	1600
triplex FFL	4000	2174	4564	2431	6/12	850	1300	1550
	3500	1433	4098	1507	6/12	900	1350	1600
	4300	1758	4898	1687	6/12	850	1300	1550
4500	1768	5098	1847	6/12	800	1200	1450	

## masts: 2.0 - 2.5 tonnes

	Maximum fork height mm	Minimum height mm	Raised height no backrest mm	Free lift no backrest mm	Tilt range Fwd/Bwd deg	Load height deration kg @ 500mm load centre	
						HG20	HG25
duplex	2500	1464	3234	140	5/10	2000	2500
	2700	1564	3434	140	5/10	2000	2500
	3000	1684	3734	140	5/10	2000	2500
	3300	1864	4034	140	5/10	2000	2500
	3500	1964	4234	140	5/10	2000	2500
	3600	2014	4334	140	5/10	2000	2500
	4000	2264	4734	140	5/10	2000	2500
	4300	2429	5034	140	5/6	1900	2400
4500	2539	5234	140	5/6	1750	2250	
duplex FFL	2500	1395	3185	1091	5/10	2000	2500
	2700	1495	3385	1191	5/10	2000	2500
	3000	1595	3685	1291	5/10	2000	2500
	3300	1745	3985	1441	5/10	2000	2500
	3600	1895	4285	1591	5/10	2000	2500
triplex FFL	4000	2145	4685	1841	5/10	2000	2500
	4300	1639	5019	1267	5/6	1700	2200
	4500	1759	5219	1387	5/6	1650	2050
	4800	1859	5519	1487	5/6	1600	1800
	5000	1924	5719	1588	5/6	1500	1700
	5500	2089	6219	1717	3/6	1200	1300
6000	2304	6719	1932	3/6	1000	1100	

## masts: 3.0 tonnes

	Maximum fork height mm	Minimum height mm	Raised height no backrest mm	Free lift no backrest mm	Tilt range Fwd/Bwd deg	Load height deration kg@500mm load centre
						HG30
duplex	2500	1431	3297	145	5/10	3000
	2700	1531	3497	145	5/10	3000
	3000	1681	3797	145	5/10	3000
	3300	1831	4097	145	5/10	3000
	3500	1931	4297	145	5/10	3000
	3600	1981	5097	145	5/10	3000
	4000	2231	5297	145	5/10	3000
	4300	2396	5597	145	5/6	2900
	4500	2506	5797	145	5/6	2800
	4800	2671	6297	145	5/6	2700
5000	2781	6797	145	5/6	2600	
duplex FFL	2500	881	3247	1089	5/10	3000
	2700	891	3447	1189	5/10	3000
	3000	1631	3747	1299	5/10	3000
	3300	1781	4047	1449	5/10	3000
triplex FFL	4300	1672	5083	1268	5/6	2900
	4500	1752	5283	1348	5/6	2750
	4800	1852	5583	1448	5/6	2400
	5000	1918	5783	1514	5/6	2100
	5500	2082	6283	1678	3/6	2000
	6000	2249	6783	1844	3/6	1500



## masts: 4.0 - 5.0 tonnes refer to dealer

Heights with backrest:  
 1.0 - 2.5 tonnes:  
 add 322mm (duplex), 371mm (duplex FFL), 337mm (triplex FFL)  
 3.0 tonnes:  
 add 355mm (duplex), 405mm (duplex FFL), 369mm (triplex FFL)

