



4 cylinder clear view mast:

Updated mast design removes the central cylinder to give the operator an unprecedented view of the load and road ahead.



Transmission:

R+ uses Okamura transmission and engine, suspended on rubber mountings. Universal joint minimises vibration and noise.



Full suspension seat:

For comfort and lumbar support - low physical stress levels giving eight-hour shift alertness.



Masts:

up to 25% stronger than market leaders due to the heavy sections and larger 120mm rollers. 2A and 3A carriages.



Example options:

Quality cab with excellent vision.
4 cylinder triplex mast.
Alternative transmission - 11 kph.
Integral high-view sideshift.



R series

**Diesel/LPG Lift Trucks
1.5 - 5.5 tonnes**

SPECIFICATIONS

Available in three specifications to suit Performance, Price or Health & Safety applications. All built on one dedicated IC assembly line by the biggest Chinese exclusive lift truck maker.

R

Aimed at 80% of the volume market, embracing very high performance and reliability from leading international components. Suitable for 2,000 to exceptional 5,000 hours per year with a probability of 15,000 hours between major overhauls. High residual value due to simple powertrain. The 4.5t models use CAT Perkins naturally aspirated engines: ideal for flame and explosion proofing.

Rc

Based on lower cost but proven quality national components aimed at applications of 2,000 hours per year or more. Very similar to a standard car specification driven by multi-skilled operators with minimal training costs. Initial price comes before residual value. Engine warranty similar to Cummins.

R+

Extra features, similar to the R but priced higher - aimed at the top 10% of the market where Health & Safety is a key factor. Major features like full suspension powertrain for quietness with low vibration. Preferred for cabs. Happy operator, bystanders and nearby office staff and Health & Safety officer!



**Updated 4 cylinder mast
dramatic improvement in vision
quicker load cycles
less load damage**



**ISO9001
ISO14001**

DIESEL

general	1	Manufacturer:	
	2	Model:	
	3	Load capacity:	
	4	Load centre:	mm
	5	Power:	type
characteristics	6	Rated fork height:	mm
	7	Free lift:	mm
	8	Fork size:	L x W x T
	9	Tilt range:	FWD/BWD
	10	Turning radius:	mm
	11	Aisle stacking width (add load, clearance):	mm
	12	Ground clearance unladen:	mm
	13		at wheelbase centre
	14	Overhead guard height:	mm
	15	Lost load centre:	mm
performance	16	Counterweight overhang:	mm
	17	Travel speed:	maximum, unladen kmh
	18	Drawbar pull:	maximum, laden N
	19	Gradeability:	maximum, laden %
	20	Lifting speed:	laden mms
	21	Lowering speed:	laden mms
size	22	Length to fork face:	mm
	23	Overall width:	mm
	24	Height without backrest:	mast, down/up
chassis	25	Tyres:	front
	26		rear
	27	Wheelbase:	mm
	28	Tread:	front/rear
weight	29	Weight:	unladen kg
	30	Weight distribution:	laden, front/rear kg
	31		unladen, front/rear kg
drive unit	32	Battery:	voltage/capacity (20h) v/ah
	33	Engine:	manufacturer
	34		model
	35		aspiration
	36		rated power kw/rpm
	37		rated torque Nm/rpm
	38		displacement cc
	39		fuel tank capacity l
	40	Transmission:	make
	41		type
	42		stage, FWD/RVS
	43		shift type
	44	Operating pressure:	for attachments MPa

SAMUK+HC			
R20Dc	R25Dc	R30Dc	R35Dc
2000	2500	3000	3500
500			500
diesel			diesel
3300			3300
150			155
1070x122x40		1070x130x45	1070x140x45
6/12			6/12
2175	2235	2375	2415
2650	2710	2855	2900
	105		130
	150		175
	2120		2150
	475	480	485
405	480	510	555
20.5			19.0
23500			25400
25		25	20
510	580	460	360
	500		500
2530	2605	2750	2800
1155			1225
2135/3925		2160/3965	2310/4110
7.00-12-12PR			28-9-15-12PR
6.00-9-10PR			6.50-10-10PR
1650			1760
965/970			1005/973
3440	3765	4255	4555
4815/625	5530/735	6480/775	7195/860
1640/1800	1560/2205	1765/2490	1890/2665
		12/100	
		XINCHAI	
		498 BPG	
		45/2500	
		193/1800	
		3168	
		60	
		ADVANCE	
		Torque convertor powershift inching	
		1/1	
		Electrical-hydraulic	
		17.5	

R15D	R18D
1500	1750
500	
diesel	
3300	
155	
920x100x35	920x100x38
6/12	
1970	2005
2375	2410
	115
	145
	2110
405/428/445	408/431/448
460	495
14.5	
22000	
20	
510	
450	
2265	2300
1080	
2145/3885	
6.50-10-10PR	
5.00-8-10PR	
1400	
890/900	
2740	2930
3690/550	4075/605
1220/1520	1190/1740
	12/60
	YANMAR
	4TNV
	natu
	32.8/
	142/
	265
	50

Rated at 3300mm lift, 500mm load centre : Materials & specifications are subject to change without notice : Check mast specification, marginal height, load centre derations & load types

LPG

general	1	Manufacturer:	
	2	Model:	
	3	Load capacity:	
	4	Load centre:	mm
	5	Power:	type
characteristics	6	Rated fork height:	mm
	7	Free lift:	mm
	8	Fork size:	L x W x T
	9	Tilt range:	FWD/BWD
	10	Turning radius:	mm
	11	Aisle stacking width (add load, clearance):	mm
	12	Ground clearance unladen:	mm
	13		at wheelbase centre
	14	Overhead guard height:	mm
	15	Lost load centre:	mm
performance	16	Counterweight overhang:	mm
	17	Travel speed:	maximum, unladen kmh
	18	Drawbar pull:	maximum, laden N
	19	Gradeability:	maximum, laden %
	20	Lifting speed:	laden mms
	21	Lowering speed:	laden mms
size	22	Length to fork face:	mm
	23	Overall width:	mm
	24	Height without backrest:	mast, down/up
chassis	25	Tyres:	front
	26		rear
	27	Wheelbase:	mm
	28	Tread:	front/rear
weight	29	Weight:	unladen kg
	30	Weight distribution:	laden, front/rear kg
	31		unladen, front/rear kg
drive unit	32	Battery:	voltage/capacity (20h) v/ah
	33	Engine:	manufacturer
	34		model
	35		aspiration
	36		rated power kw/rpm
	37		rated torque Nm/rpm
	38		displacement cc
	39	Fuel tank capacity:	LPG bottle/tank (option) l
	40	Transmission:	make
	41		type
	42		stage, FWD/RVS
	43		shift type
	44	Operating pressure:	for attachments MPa

SAMUK+HC			
R20Lc	R25Lc	R30Lc	R35Lc
2000	2500	3000	3500
500			500
LPG			LPG
3300			3300
150			150
1070x122x40		1070x135x45	1070x140x45
6/12			6/12
2175	2235	2375	2415
2650	2710	2855	2900
	105		130
	150		175
	2120		2150
	475	480	485
405	480	510	555
22.5			21.0
19600			21200
25	20	20	18
500	570	450	350
	500		500
2530	2605	2750	2800
1155			1225
2135/3925		2160/3965	2310/4110
7.00-12-12PR			28x9-15PR
6.00-9-10PR			6.50-10-10PR
1650			1760
965/970			1005/973
3440	3765	4255	4555
4815/625	5530/735	6480/775	7195/860
1640/1800	1560/2205	1765/2490	1890/2665
		12/60	
		4Y	
		491GP 42	
		natural	
		41/2800	
		161/2000	
		2237	
		18/45	
		ADVANCE	
		Powershift	
		1/1	
		Electrical-hydraulic	
		17.5	

R15L	R18L
1500	1750
500	
LPG	
3300	
155	
920x100x35	920x100x38
6/12	
1970	2005
2375	2410
	115
	145
	2110
405	408
460	495
14.5	
20200	
20	
510	
450	
2300	
1080	
2145/3885	
6.50-10-10PR	
5.00-8-10PR	
1400	
890/900	
2740	2930
3690/550	4075/605
1220/1520	1190/1740
	12/60
	NISSAN
	K21
	natural
	31.5/2300
	144/1600
	2065
	50

Rated at 3300mm lift, 500mm load centre : Materials & specifications are subject to change without notice : Check mast specification, marginal height, load centre derations & load types

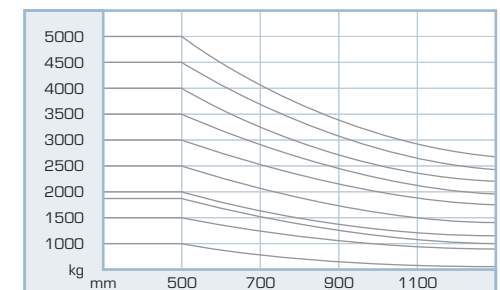
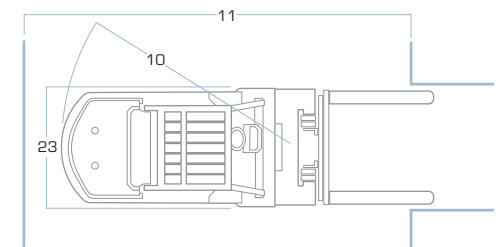
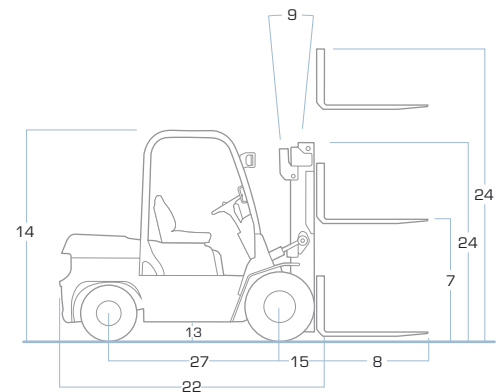
SAMUK+HC									
R20	R20D	R25D	R30D	R35D	R40D	R45D	R50D	R55D	
750	2000	2500	3000	3500	4000	4500	5000	5500	
	500		500			500			
	diesel		diesel			diesel			
	3300		3300			3300		3000	
	150		155			160			
100x38	1070x122x40		1070x130x45	1070x140x45		1070x150x50		1070x150x55	
	6/12		6/12			6/12			
005	2175	2235	2375	2415	2690	2720	2810	3370	
110	2650	2710	2855	2900	3240	3270	3365	3375	
	105		130			170			
	150		175			230			
	2120		2150			2250			
31/448	475/475/485		490/475/490	495/475/498		550		555	
95	405	480	510	555	520	560		570	
	21.0		19.5			25.0		24.0	
	18300	26100	28200			38200		33750	
	25		25		25	25	22.5	22	
	510	580	460	360	440	500	380	360	
	500		500			500			
300	2530	2605	2750	2800	3070	3110	3215	3225	
	1155		1225		1395		1490		
	2135/3925		2160/3965	2310/4110	2395/4130		2545/4295	2530/3995	
	7.00-12-12PR		28-9-15-12PR		8.25-15-14PR		300-15-18PR	7.00x12-16PR	
	6.00-9-10PR		6.50-10-10PR				7.00-12-12PR		
	1650		1760		2000		2100		
	965/970		1005/973		1160/1130		1190/1130		
330	3440	3765	4255	4555	6300	6500	6600	7220	
5/605	4815/625	5530/735	6480/775	7195/860	9000/1300	9625/1375	10125/1475	11280/1440	
1/1740	1640/1800	1560/2205	1765/2490	1890/2665	2800/3500	2820/3680	2820/3780	2820/4400	
	12/60		12/90			24/105			
	YANMAR		YANMAR			CAT Perkins			
	4TNE92		4TNE98L			1104D-44			
	natural		natural			natural			
	32.8/2450		44.3/2300			74.5/2200			
	142/1600		196/1700			392/1400			
	2659		3319			4100			
	50		70			90			
			ADVANCE						
			Torque convertor powershift inching						
	1/1					2/1			
			Electrical-hydraulic						
			17.5						

Load types with Dealer.

SAMUK+HC			
R25D+	R30D+	R35D+	
2500	3000	3500	
500	500		
diesel	diesel		
3300	3300		
150	155		
1070x122x40	1070x130x45	1070x140x45	
6/12	6/12		
2235	2375	2415	
2710	2855	2900	
105	130		
150	175		
2120	2150		
475	480	485	
480	510	555	
21.0	19.5		
26100	28200		
25	25		
580	460	360	
500	500		
2605	2750	2800	
1155	1225		
2135/3925	2160/3965	2310/4110	
7.00-12-12PR	28-9-15-12PR		
6.00-9-10PR	6.50-10-10PR		
1650	1760		
965/970	1005/973		
3765	4255	4555	
5530/735	6480/775	7195/860	
1560/2205	1765/2490	1890/2665	
	12/90		
	YANMAR		
	4TNE98L		
	natural		
	44.3/2300		
	196/1700		
	3319		
	70		
	OKAMURA suspended transmission		
	Torque convertor powershift inching		
	1/1		
	Electrical-hydraulic		
	17.5		

SAMUK+HC									
R18L	R20L	R25L	R30L	R35L	R40L	R45L	R50L	R55L	
750	2000	2500	3000	3500	4000	4500	5000	5500	
	500		500			500			
	LPG		LPG			LPG			
	3300		3300			3300			
	150		155			160			
100x38	1070x122x40		1070x130x45	1070x140x45		1070x150x50		1070x150x55	
	6/12		6/12			6/12			
005	2175	2235	2375	2415	2690	2720	2810	3370	
110	2650	2710	2855	2900	3240	3270	3365	3375	
	105		130			170			
	150		175			230			
	2120		2150			2259			
08	475		480	485		550		555	
95	405	480	510	555	520	560		570	
	22.5		21.0			26.0		24.0	
	15700		17100			39300		33750	
	25	20	20	18		20		22	
	500	570	450	350	460	500	400	360	
	500		500			500			
	2530	2605	2750	2800	3070	3110	3215	3225	
	1155		1225		1395		1490		
	2135/3925		2160/3965	2310/4110	2395/4130		2545/4295	2530/3995	
	7.00-12-12PR		28-9-15-15PR		8.25-15-14PR		300-15-18PR	7.00x12-16PR	
	6.00-9-10PR		6.50-10-10PR				7.00-12-12PR		
	1650		1760		2000		2100		
	965/970.5		1005/973.5		1160/1130		1190/1130		
330	3440	3765	4255	4555	6300	6500	6600	7220	
5/605	4815/625	5530/735	6480/775	7195/860	9000/1300	9625/1375	10123/1475	11280/1440	
1/1740	1640/1800	1560/2205	1765/2490	1890/2665	2800/3500	2820/3680	2820/3780	2820/4400	
	12/60		12/60			12/70			
	NISSAN		NISSAN			GM			
	21		K25			4.3L V6			
	natural		natural			natural			
	38.0/2400		38.0/2400			74/2300			
	1600		185/1600			301/1600			
	265		2488			4294			
	50		70			2 x 18/60			
			ADVANCE						
			Powershift						
	1/1					2/1			
			Electrical-hydraulic						
			17.5			18			

Load types with Dealer.



MASTS: 1.5 - 1.8 tonnes

	Maximum lift height mm	Lowered mast height mm	Raised mast height		no backrest mm	Free lift with backrest mm	Front overhang		Tilt range FWD/BWD deg	Load height deration kg @ 500mm load centre			
			no backrest mm	with backrest mm			mm	mm		single tyre		dual tyre	
duplex standard	2000	1495	2585	2955	155	155	R15	R18	6/12	R15	R18	R15	R18
	2500	1745	3085	3455	155	155	405	408	6/12	1500	1750	1500	1750
	2700	1845	3285	3655	155	155	405	408	6/12	1500	1750	1500	1750
	3000	1995	3585	3955	155	155	405	408	6/12	1500	1750	1500	1750
	3300	2145	3885	4255	155	155	405	408	6/12	1500	1750	1500	1750
	3500	2245	4085	4455	155	155	405	408	6/12	1500	1750	1500	1750
	3600	2345	4185	4555	155	155	405	408	6/12	1500	1750	1500	1750
	4000	2595	4585	4955	155	155	405	408	6/12	1450	1650	1500	1750
	4300	2745	4885	5255	155	155	405	408	6/6	1300	1550	1400	1650
	4500	2845	5085	5455	155	155	405	408	6/6	1350	1450	1350	1550
duplex FFL	2500	1760	3105	3455	1095	280	428	431	6/12	1500	1750	1500	1750
	2700	1860	3305	3655	1195	280	428	431	6/12	1500	1750	1500	1750
	3000	2010	3605	3955	1395	340	428	431	6/12	1500	1750	1500	1750
	3300	2160	3905	4255	1545	530	428	431	6/12	1500	1750	1500	1750
	3600	2310	4025	4555	1695	333	428	431	6/12	1500	1750	1500	1750
triplex FFL	4300	2110	5070	5255	1350	185	445	448	6/6	1350	1500	1400	1600
	4500	2120	5130	5465	1510	355	445	448	6/6	1300	1450	1350	1550
	4800	2235	5445	5755	1600	310	445	448	6/6	1250	1350	1300	1450
	5000	2285	5605	5955	1690	350	445	448	6/6	1200	1300	1250	1400
	5500	2460	6120	6455	1850	335	445	448	3/6	-	-	1050	1150
	6000	2685	6695	6955	2000	260	445	448	3/6	-	-	850	900

MASTS: 2.0 - 2.5 tonnes

	Maximum lift height mm	Lowered mast height mm	Raised mast height		no backrest mm	Free lift with backrest mm	Front overhang		Tilt range FWD/BWD deg	Load height deration kg @ 500mm load centre			
			no backrest mm	with backrest mm			mm	mm		single tyre		dual tyre	
duplex standard	2500	1735	3125	3545	150	150	470(475)		6/12	R20	R25	R20	R25
	2700	1835	3325	3745	150	150	470(475)		6/12	2000	2500	2000	2500
	3000	1985	3625	4045	150	150	470(475)		6/12	2000	2500	2000	2500
	3300	2135	3925	4345	150	150	470(475)		6/12	2000	2500	2000	2500
	3500	2235	4125	4545	150	150	470(475)		6/12	2000	2500	2000	2500
	3600	2335	4225	4645	150	150	470(475)		6/12	2000	2500	2000	2500
	4000	2585	4625	5045	150	150	470(475)		6/12	1900	2350	2000	2500
	4300	2735	4925	5345	150	150	470(475)		6/6	1800	2200	1950	2450
	4500	2835	5125	5545	150	150	470(475)		6/6	1750	2100	1950	2400
	4800	2985	5425	5845	150	150	470(475)		6/6	1600	1850	1800	2150
duplex FFL	5000	3085	5625	6045	150	150	470(475)		6/6	1550	1750	1750	2050
	2500	1795	3152	3545	1143	750	470		6/12	2000	2500	2000	2500
	2700	1895	3352	3745	1243	850	470		6/12	2000	2500	2000	2500
	3000	1995	3652	4045	1343	950	470		6/12	2000	2500	2000	2500
	3300	2145	3952	4345	1493	1100	470		6/12	2000	2500	2000	2500
	3600	2295	4252	4645	1643	1250	470		6/12	2000	2500	2000	2500
	4000	2545	4652	5045	1893	1500	470		6/12	1900	2350	2000	2500
triplex FFL	4300	2040	4992	5355	1358	995	485		6/6	1750	2100	1950	2400
	4500	2110	5242	5605	1428	1065	485		6/6	1700	2000	1900	2300
	4800	2210	5492	5855	1528	1165	485		6/6	1600	1850	1800	2150
	5000	2275	5692	6055	1593	1230	485		6/6	1550	1750	1750	2050
	5500	2440	6192	6555	1758	1395	485		3/6	1150	1300	1600	1850
	6000	2655	6692	7055	1973	1610	485		3/6	750	850	1450	1650

MASTS: 3.0 - 3.5 tonnes

	Maximum lift height mm	Lowered mast height mm	R30		R35		R30		R35		R30		R35		Load height deration kg @ 500mm load centre			
			R30	R35	R30	R35	R30	R35	R30	R35	R30	R35	R30	R35	R30	R35	R30	R35
duplex standard	2500	1760	1910	3165	3310	3630	3630	155	155	155	155	490(480)	495(485)	6/12	3000	3500	3000	3500
	2700	1860	2010	3365	3510	3830	3830	155	155	155	155	490(480)	495(485)	6/12	3000	3500	3000	3500
	3000	2010	2160	3665	3810	4130	4130	155	155	155	155	490(480)	495(485)	6/12	3000	3500	3000	3500
	3300	2160	2310	3965	4110	4430	4430	155	155	155	155	490(480)	495(485)	6/12	3000	3500	3000	3500
	3500	2260	2410	4165	4310	4630	4630	155	155	155	155	490(480)	495(485)	6/12	3000	3500	3000	3500
	3600	2370	2460	4265	4410	4730	4730	155	155	155	155	490(480)	495(485)	6/12	3000	3500	3000	3500
	4000	2620	2710	4665	4810	5130	5130	155	155	155	155	490(480)	495(485)	6/12	2850	3300	3000	3500
	4300	2770	2860	4965	5110	5430	5430	155	155	155	155	490(480)	495(485)	6/6	2700	3100	2950	3400
	4500	2870	2960	5165	5310	5630	5630	155	155	155	155	490(480)	495(485)	6/6	2600	2950	2900	3350
	4800	3020	3110	5465	5610	5930	5930	155	155	155	155	490(480)	495(485)	6/6	2350	2600	2650	3000
duplex FFL	5000	3120	3220	5665	5810	6130	6130	155	155	155	155	490(480)	495(485)	6/6	2250	2450	2500	2850
	2500	1865	1975	3235	3370	3635	3640	1130	1115	730	845	475	475	6/12	3000	3500	3000	3500
	2700	1965	2075	3435	3570	3835	3840	1230	1215	830	945	475	475	6/12	3000	3500	3000	3500
	3000	2190	2190	3760	3860	4140	4130	1435	1330	1060	1060	475	475	6/12	3000	3500	3000	3500
	3300	2225	2375	4045	4170	4445	4440	1490	1515	1090	1245	475	475	6/12	3000	3500	3000	3500
	3600	2375	2540	4345	4470	4745	4740	1640	1670	1240	1400	475	475	6/12	3000	3500	3000	3500
	4000	2575	2740	4745	4870	5145	5140	1840	1870	1440	1600	475	475	6/12	2850	3300	3000	3500
triplex FFL	4300	2090	2205	5050	5105	5445	5440	1355	1395	960	1060	490	498	6/6	2600	2950	2900	3350
	4500	2160	2260	5300	5305	5695	5640	1425	1465	1030	1130	490	498	6/6	2500	2800	2800	3200
	4800	2260	2354	5550	5605	5945	5940	1525	1565	1130	1230	490	498	6/6	2350	2600	2650	3000
	5000	2326	2420	5750	5805	6145	6145	1590	1630	1196	1295	490	498	6/6	2250	2450	2550	2850
	5500	2490	2605	6250	6350	6645	6640	1755	1795	1360	1460	490	498	3/6	1750	1900	2350	2600
	6000	2656	2770	6750	6805	7145	7140	1920	1960	1525	1625	490	498	3/6	1250	1350	2150	2350

MASTS: 4 - 5.5 tonnes

	Maximum lift height mm	Lowered mast height mm	R40,45		R50,55		R40,45		R50,55		R40,45		R50,55		Load height deration kg @ 500mm load centre						
			R40,45	R50,55	R40,45	R50,55	R40,45	R50,55	R40,45	R50,55	R40,45	R50,55	R40	R45	R50	R40	R45	R50	R55		
duplex standard	2500	1995	2145	3330	3495	3670	3820	160	160	160	160	550	555	6/12	4000	4500	5000	4000	4500	5000	5000
	2700	2095	2245	3530	3695	3870	4020	160	160	160	160	550	555	6/12	4000	4500	5000	4000	4500	5000	5000
	3000	2245	2395	3830	3995	4170	4320	160	160	160	160	550	555	6/12	4000	4500	5000	4000	4500	5000	5000
	3300	2395	2545	4130	4295	4470	4620	160	160	160	160	550	555	6/12	4000	4500	5000	4000	4500	5000	5000
	3500	2495	2645	4330	4495	4670	4820	160	160	160	160	550	555	6/12	4000	4500	5000	4000	4500	5000	5000
	3600	2545	2695	4430	4595	4770	4920	160	160	160	160	550	555	6/12	4000	4500	5000	4000	4500	5000	5000
	4000	2795	2895	4830	4995	5170	5320	160	160	160	160	550	555	6/12	3800	4300	4750	4000	4500	5000	5000
	4300	2960	3045	5130	5295	5470	5620	160	160	160	160	550	555	6/6	3600	4100	4500	3800	4300	4750	4750
	4500	3070	3145	5330	5495	5670	5820	160	160	160	160	550	555	6/6	3450	3900	4300	3650	4100	4550	4550
	4800																				